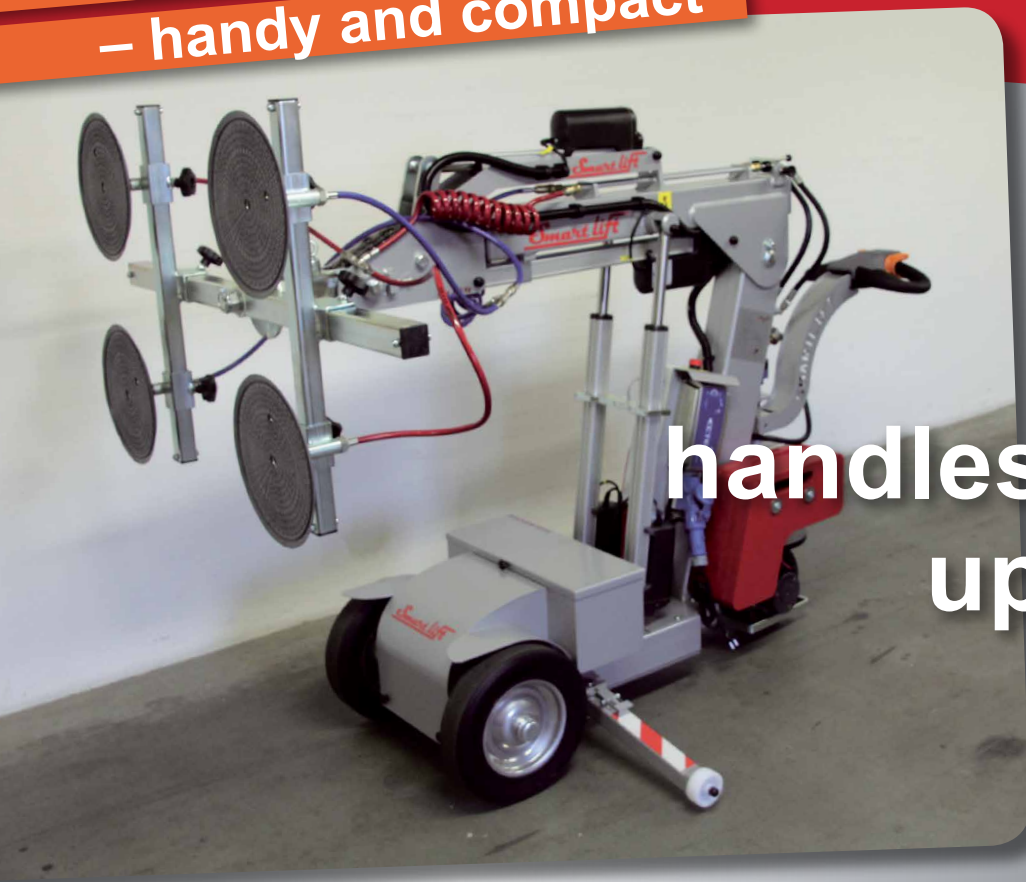


SL 280 Standard – handy and compact

SL 280 Standard

for indoor use

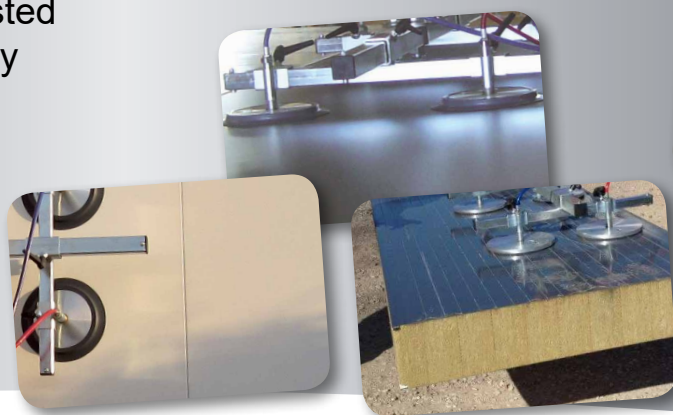


Lifts and handles elements up to 280 kg

SL 280 Standard is a compact and robust lifting device with a tight turning radius. This Smartlift has been designed with an electric lifter and electric telescopic arm – which extends up to 50 cm.

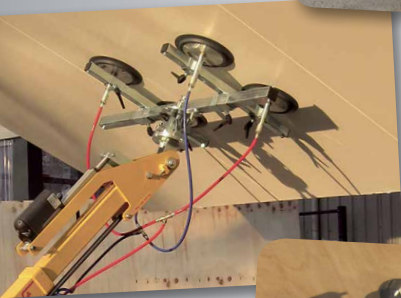
- Two vacuum circuits with two pumps
- Accurate to the millimeter
- Handy and compact
- Multifunctional
- Self-propelled
- Tried-and-tested Danish quality

A versatile and flexible lifting device.



The SL 280 Standard is available with a special device for the handling of other materials.

This Smartlift can be shifted sideways for final precise corrections prior to installation.



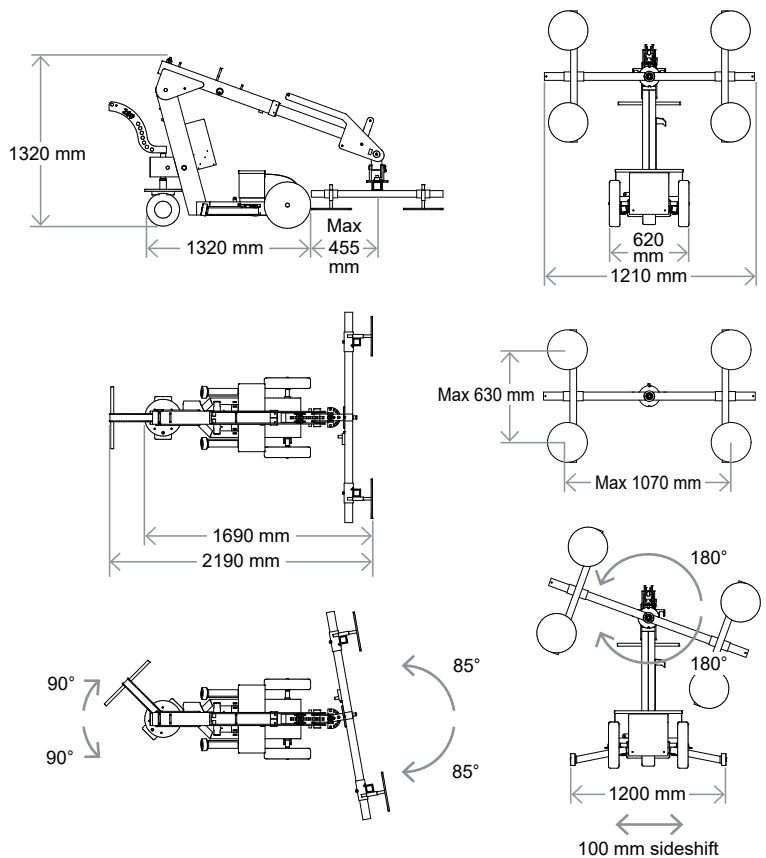
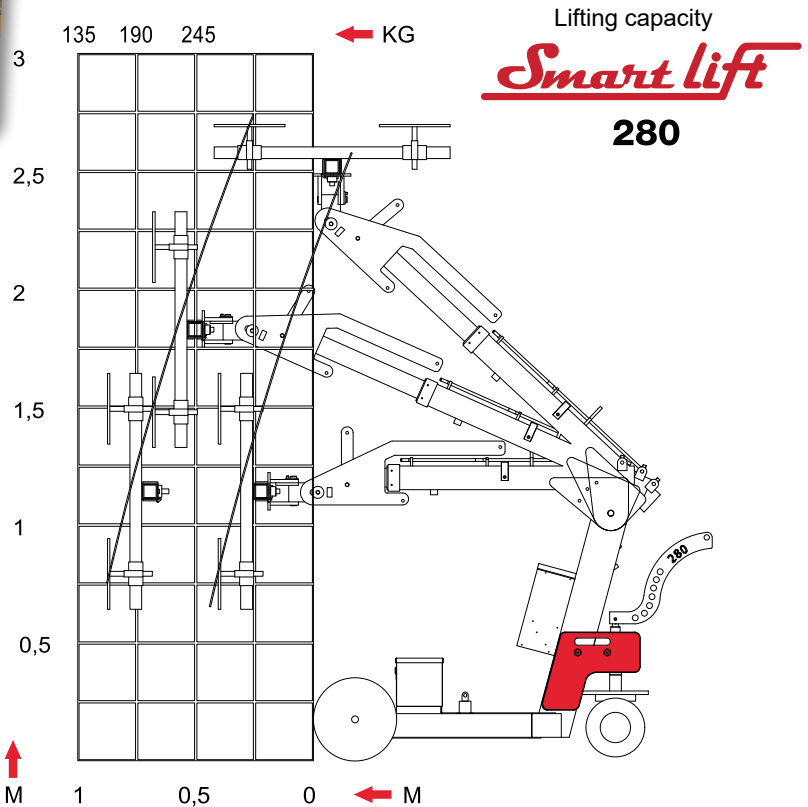
The lifting device has a multifunctional swivel head.



The Smartlift is easy to transport in a van or on a trailer.

Technical data

Description	Value
Weight	470 kg
Height	1320 mm
Width (min)	620 mm
Length (min)	1400 mm
Extension of arm	500 mm
Tip from horizontal	50° back/50° forward
Sideshift	100 mm
Vacuum system	2-circuit
Chargingvoltage	230 volt
Integrated charger	Cetek XT 14000
Chargingtime	Approx 8 hours
Battery (2 x 12v) 24 volt	2 x 60 A
Runningperiod	Approx 30 hours
Rear-wheel drive	700 Watt
Suction pads	4 unit Ø 300 mm



DEVO-Tech AG
 Hauptstrasse 39
 CH-4417 Ziefen
 Tel. +41 61 935 97 97
 info@devo-tech.ch